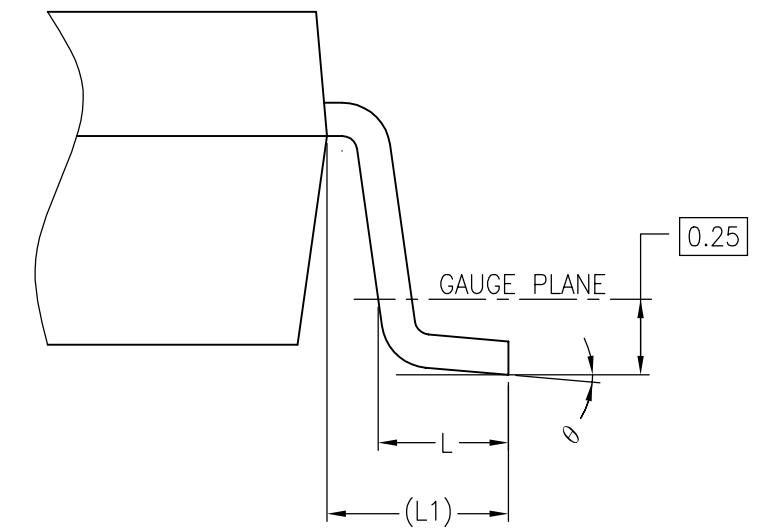
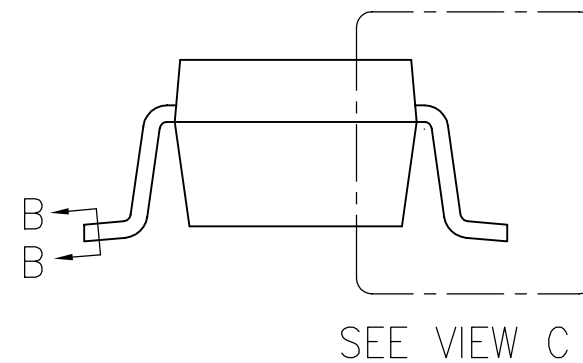
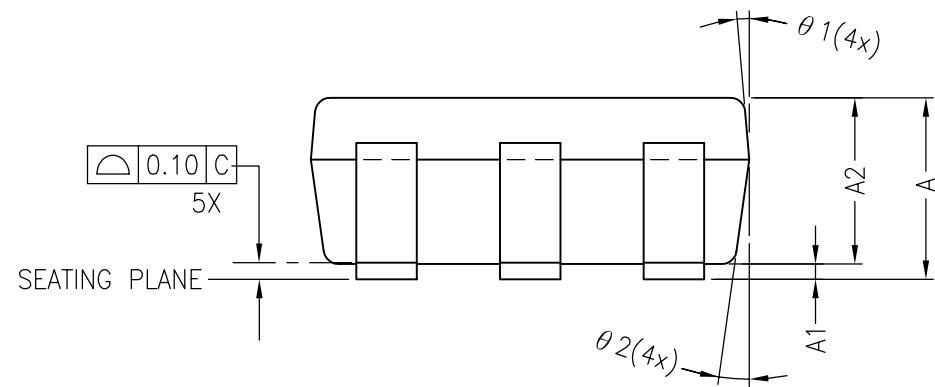
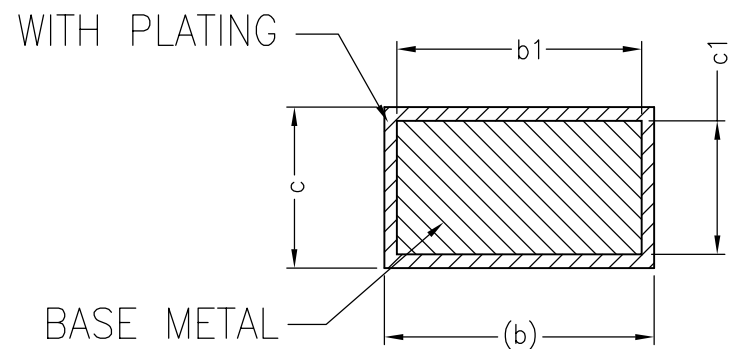


NOTE :

1. ALL DIMENSIONS ARE IN MILLIMETERS.
2. DIMENSION D DOES NOT INCLUDE MOLD FLASH, PROTRUSIONS OR GATE BURRS. MOLD FLASH, PROTRUSIONS OR GATE BURRS SHALL NOT EXCEED 0.20MM PER SIDE.
3. DIMENSION E1 DOES NOT INCLUDE INTERLEAD FLASH OR PROTRUSION. INTERLEAD FLASH OR PROTRUSION SHALL NOT EXCEED 0.20MM PER SIDE.
4. THE PACKAGE TOP MAY BE SMALLER THAN THE PACKAGE BOTTOM. DIMENSIONS D AND E1 ARE DETERMINED AT THE OUTERMOST EXTREMES OF THE PLASTIC BODY EXCLUSIVE OF MOLD FLASH, TIE BAR BURRS, INTERLEAD FLASH AND GATE BURRS, BUT INCLUDING ANY MISMATCH BETWEEN THE TOP AND BOTTOM OF THE MOLDED BODY.
5. THE SECTION B-B APPLY TO THE FLAT SECTION OF THE LEAD BETWEEN 0.08MM AND 0.15MM FROM THE LEAD TIP.
6. LEAD FRAME MATERIAL : EFTEC-64T 1/2H OR H.



VIEW C



SECTION B-B

SYMBOLS	DIMENSIONS IN MILLIMETERS			DIMENSIONS IN INCHES		
	MIN	NOM	MAX	MIN	NOM	MAX
$\Delta$ A	1.05	1.20	1.35	0.041	0.047	0.053
$\Delta$ A1	0.05	0.10	0.15	0.002	0.004	0.006
A2	1.00	1.10	1.20	0.039	0.043	0.047
b	0.25	—	0.50	0.010	—	0.020
b1	0.25	0.40	0.45	0.010	0.016	0.018
c	0.08	—	0.20	0.003	—	0.008
c1	0.08	0.11	0.15	0.003	0.004	0.006
D	2.70	2.90	3.00	0.106	0.114	0.118
E	2.60	2.80	3.00	0.102	0.110	0.118
E1	1.50	1.60	1.70	0.059	0.063	0.067
L	0.35	0.45	0.55	0.014	0.018	0.022
L1	0.60 REF			0.024 REF		
e	0.95 BSC			0.037 BSC		
e1	1.90 BSC			0.075 BSC		
$\theta$	0°	5°	10°	0°	5°	10°
$\theta 1$	3°	5°	7°	3°	5°	7°
$\theta 2$	6°	8°	10°	6°	8°	10°

CUSTOMER :

**ZYWYN CORPORATION**

APPROVED BY

DATE

TITLE:  
SOT-25 PACKAGE OUTLINE  
DRAWING (FOR JEDEC)

DRAW BY:  
*Vivi Chen*

01/25/2000

CHECK BY:  
*Bill Wang*

01/25/00

APPROVAL:  
*Paul Liu*

01/25/00

APPROVAL:  
*Barry Chen*

01/26/00

DWG. NO. PO-SOT-005

REV. 2

UNIT : mm

SCALE : 20/1

SHEET 1 OF 1