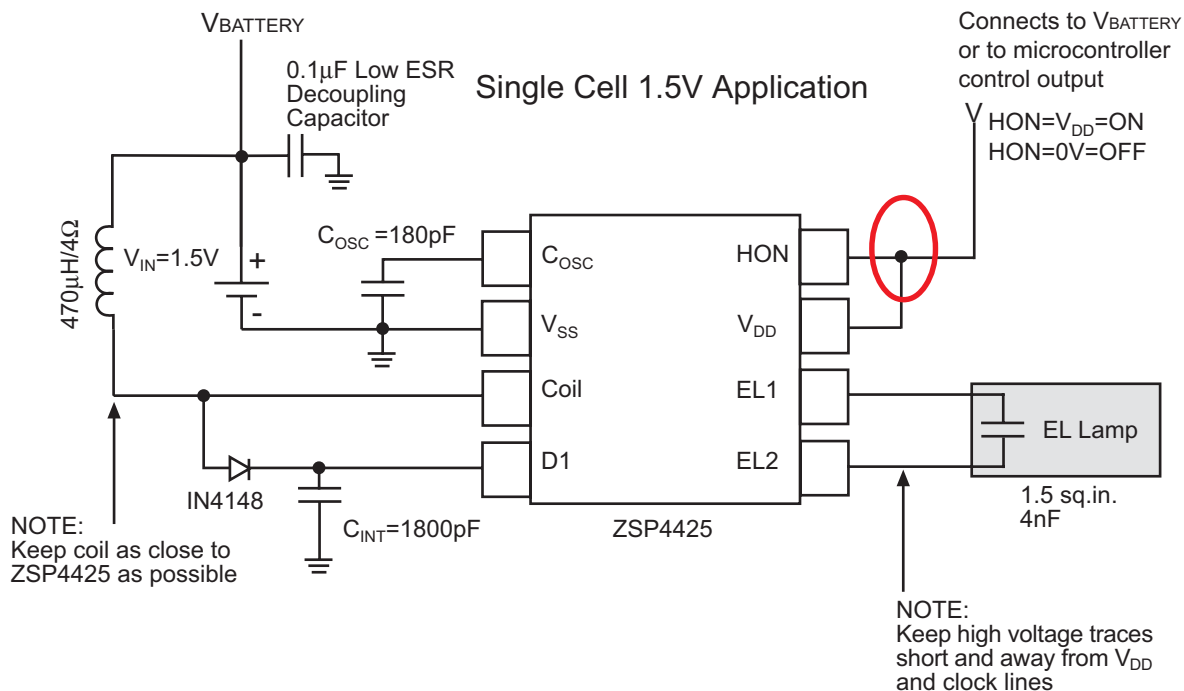




ZSP4425 Electroluminescent Lamp Driver

How to reduce ZSP4425 shutdown current to near zero and minimize the standby current at 1.5V operation



For 1.5V operation, tie HON (pin 8) and V_{DD} (pin 7) together and connect them to either the system power ($V_{BATTERY}$), or be driven by the output of a microcontroller capable of sourcing 1~3mA of current to power on the internal V_{DD} logic and enable the HON function of the device.