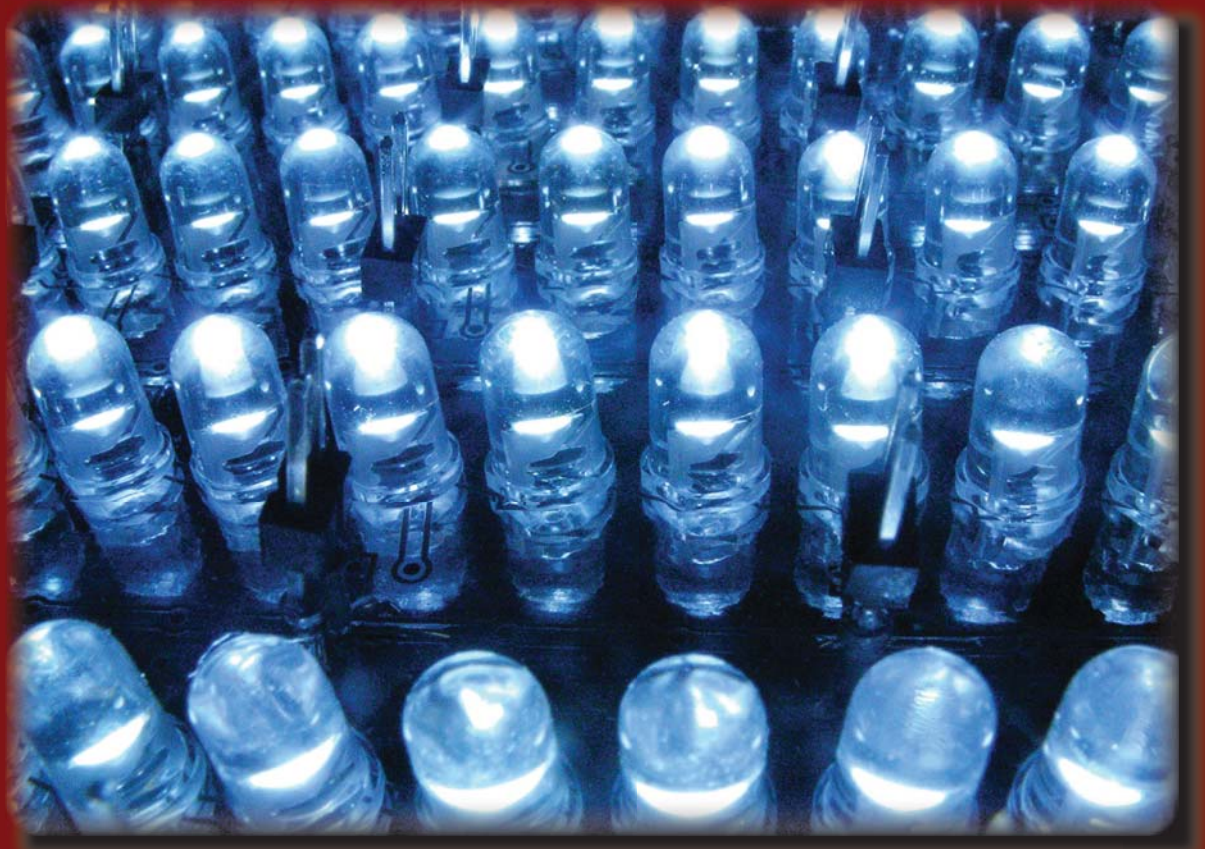


High Efficiency Multi-Channel Constant Current Auxiliary Gate Drive Single-Chip LED Driver



***For LCD Panel Display Backlighting Unit (BLU),
LED Plane Lighting and Industrial Lighting Systems***

- Drives 6 Channels Of Up To 15 LEDs In Series Per String
- Up To 15W (1W x 15) Output Driving Power
- Constant Current Of 50mA Per Channel
- 6 Channel Separate Enable Controls
- Digital PWM and Analog Dimming Controls
- LED Current Set By Single RSET Resistor
- VBST Auxiliary Gate Drive Versatility
- LED Open/Short Detection
- UVLO, OVP, Prog. Soft-Start, Thermal Protection
- Available In 28-Exposed-TSSOP and 5x5 32-EP-VQFN RoHS Green Package

ZD1680

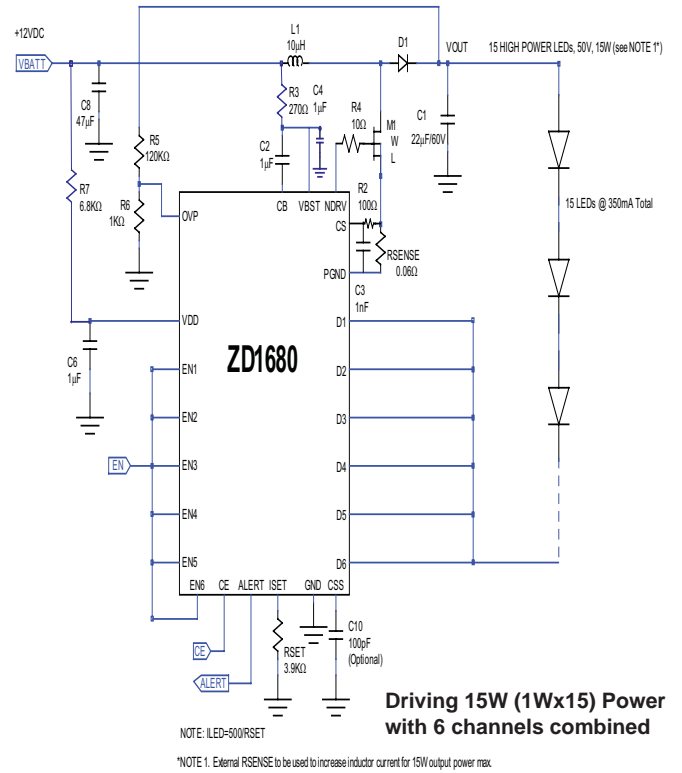
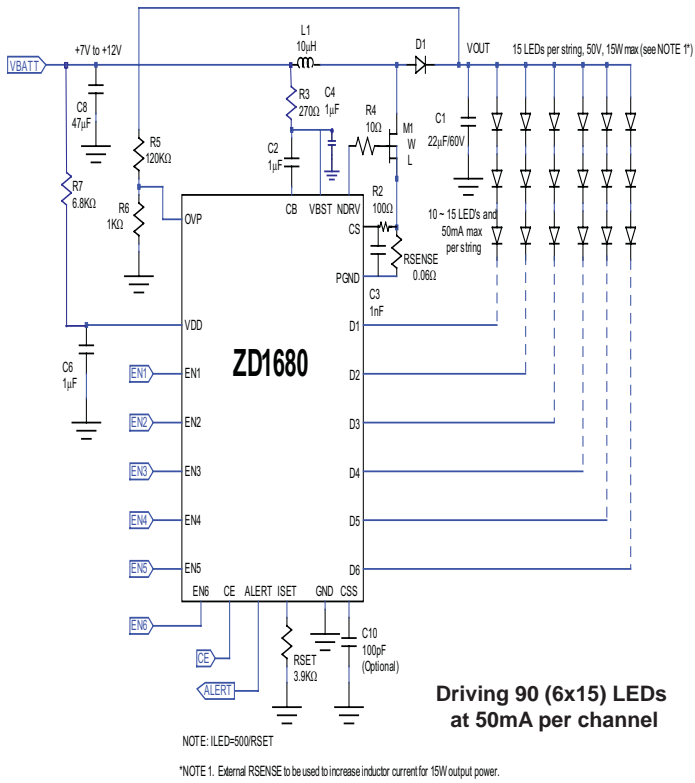
Step-Up Controller Multi-Channel LED Driver



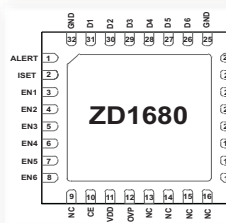
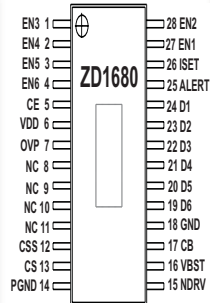
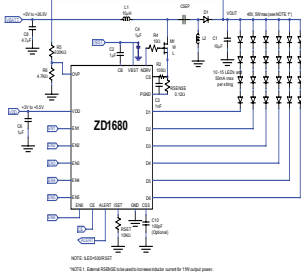
ZYWYN CORPORATION

www.zywyn.com

Typical Applications



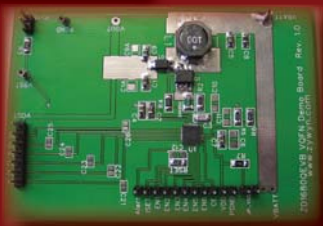
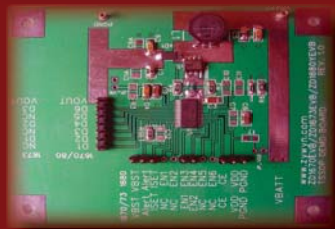
Buck-Boost (SEPIC) Operation



Ordering Information

Part Number	Temperature Range	Package Type
ZD1680LEY	-40°C to +85°C	28-EP-TSSOP
ZD1680LEQ	-40°C to +85°C	5x5 32-VQFN
ZD1680YEVB	n/a	Evaluation Board
ZD1680QEVB	n/a	Evaluation Board

0308



ZD1680

Step-Up Controller Multi-Channel LED Driver



ZYWYN CORPORATION
www.zywyn.com